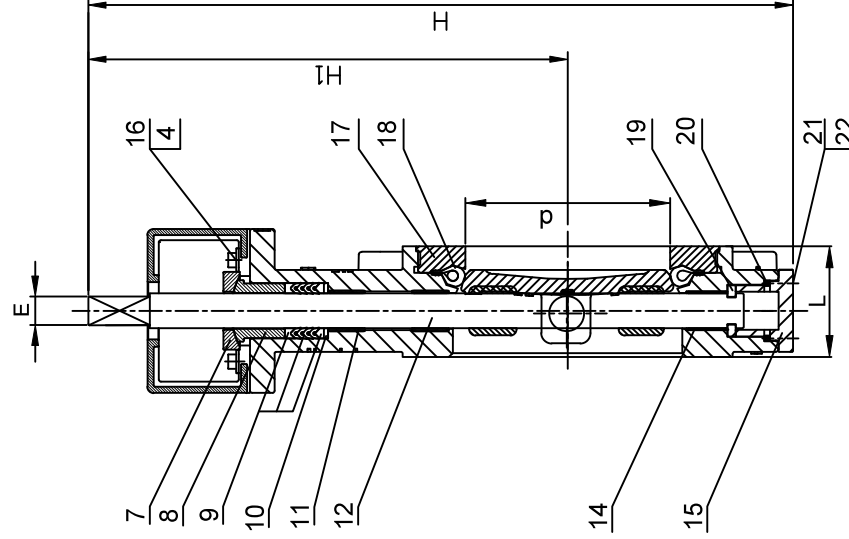
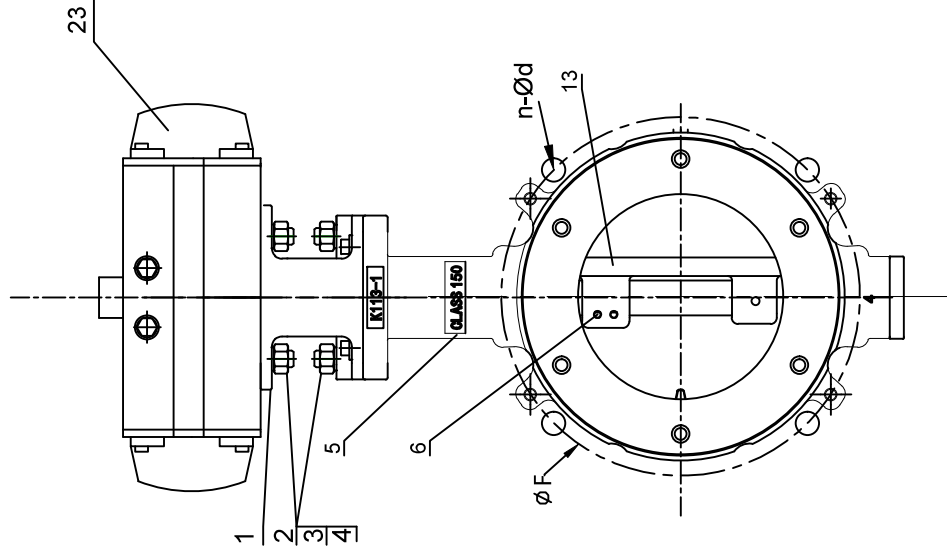


Specification	
Nominal Pressure (PN)	150 Lb
Hydraulic Shell Test Pressure (PS)	3.0 MPa
Hydraulic Seal Test Pressure (PM)	2.2 MPa
Working Pressure (P)	≤ 2.0 MPa
Working Temperature (T)	-40 - 180 °C
Suitable Medium	WATER,OIL,GAS,etc

Technical Requirements

- 1 DESIGN AND MANUFACTURE AS PER: API 609
- 2 PRESSURE TEST AS PER: API 598
- 3 END AND END DIMENSIONS AS PER: API 609
- 4 FLANGE DIMENSIONS TO JIS B2220
- 5 RATING PRESSURE: CLASS 150



23	ACTUTOR	1	JN052D
22	WASHER	2	SS304
21	BOLT	2	SS304
20	O-RING	1	FKM
19	RETAINER RING	1	SS304
18	SEAT	1	RTFE
17	RETAINER	1	ASTM A351 CF8
16	SCREW	4	SAS304
15	END COVER	1	ASTM A351 CF8
14	BOTTOM STEM BEARING	1	SS+PTFE
13	DISC	1	ASTM A351 CF8
12	STEM	1	ASTM A276-304
11	TOP STEM BEARING	2	SS+PTFE
10	PACKING RETAINER	1	SS304
9	STEM PACKING	1	GRAPHITE
8	PACKING GLAND	1	SS304
7	GLAND	1	ASTM A351 CF8
6	DISC PIN	2	SS304
5	BODY	1	ASTM A351-CF8
4	WASHER	6	SS304
3	NUTS	2	SS304
2	STUD	2	SS304
1	ISO BRACKET	1	SS304
ITEM	PART NAME	Qty.	MATERIAL

Size	mm		ISO 5211	ØF	n-Ød
	inch	mm			
DN50	2"	58	F05/F07	120	4-19
DN65	2-1/2"	62	F05/F07	140	4-19

SONG TIN CO., LTD
Mr Vo Ngoc Thoi - 0903 013 394

MATERIAL	UNIT	SCALE
	mm	

JAKI

Double Offset Butterfly Valve

FIG. NO. 121W-R CLASS 150

DRN	2023/07/24	REV	20230724A-121W
CHK	Kevin Chang	APP	Kevin Fu
DATE	2023/07/24	REV	20230724A-121W